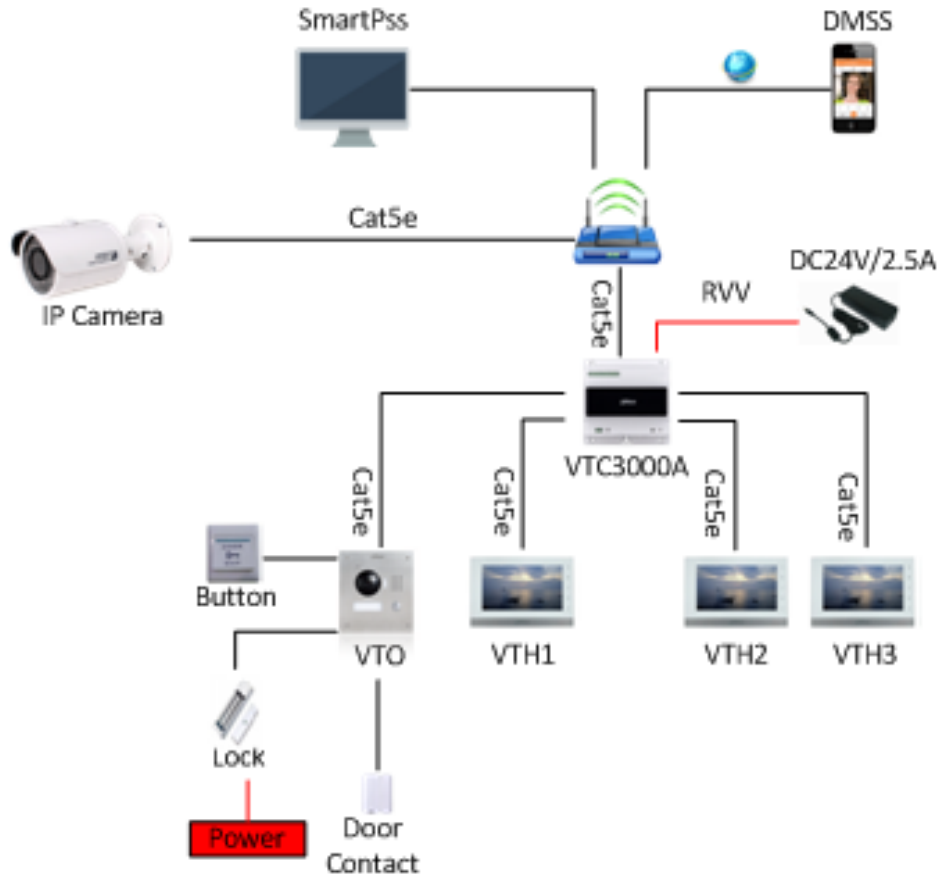


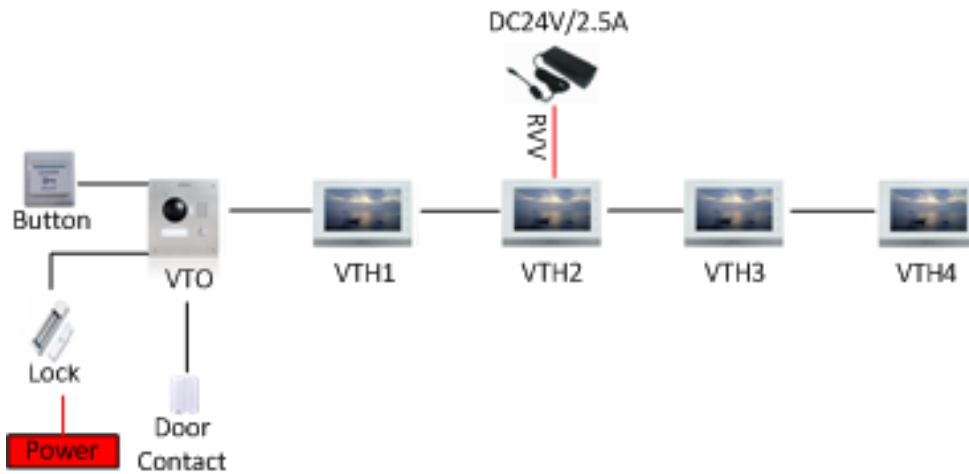
# 2-wire



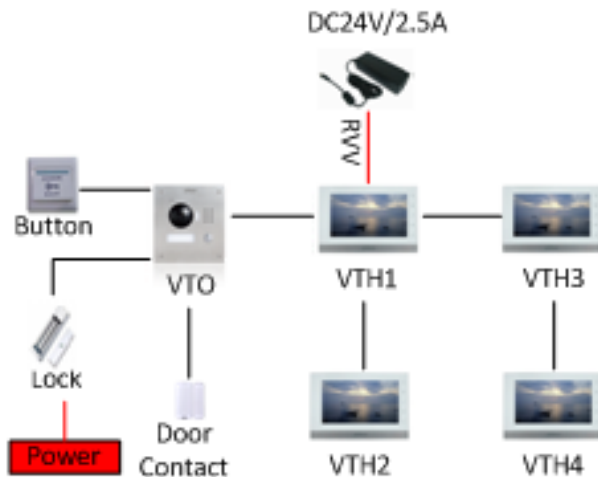
Wiring INstructions:  
VTNC3000A to VTH:  
VTNC3000A to VTO:  
Switch to VTNC3000A: Cat5e, max 50 meter  
Power to Devices: RVV 20AWG, max 30 meter  
Lock need separate power supply



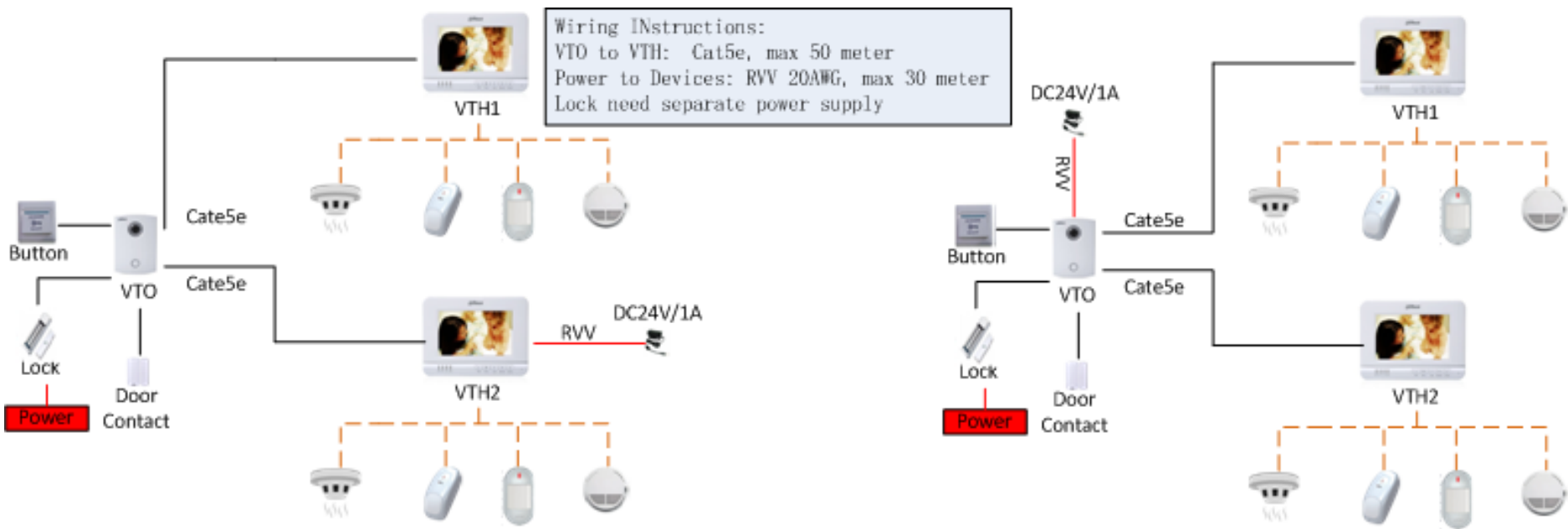
# 2-wire



Wiring INstructions:  
VTH to VTH:  
VTH to VTO:  
Power to Devices: RVV 20AWG, max 30 meter  
Lock need separate power supply

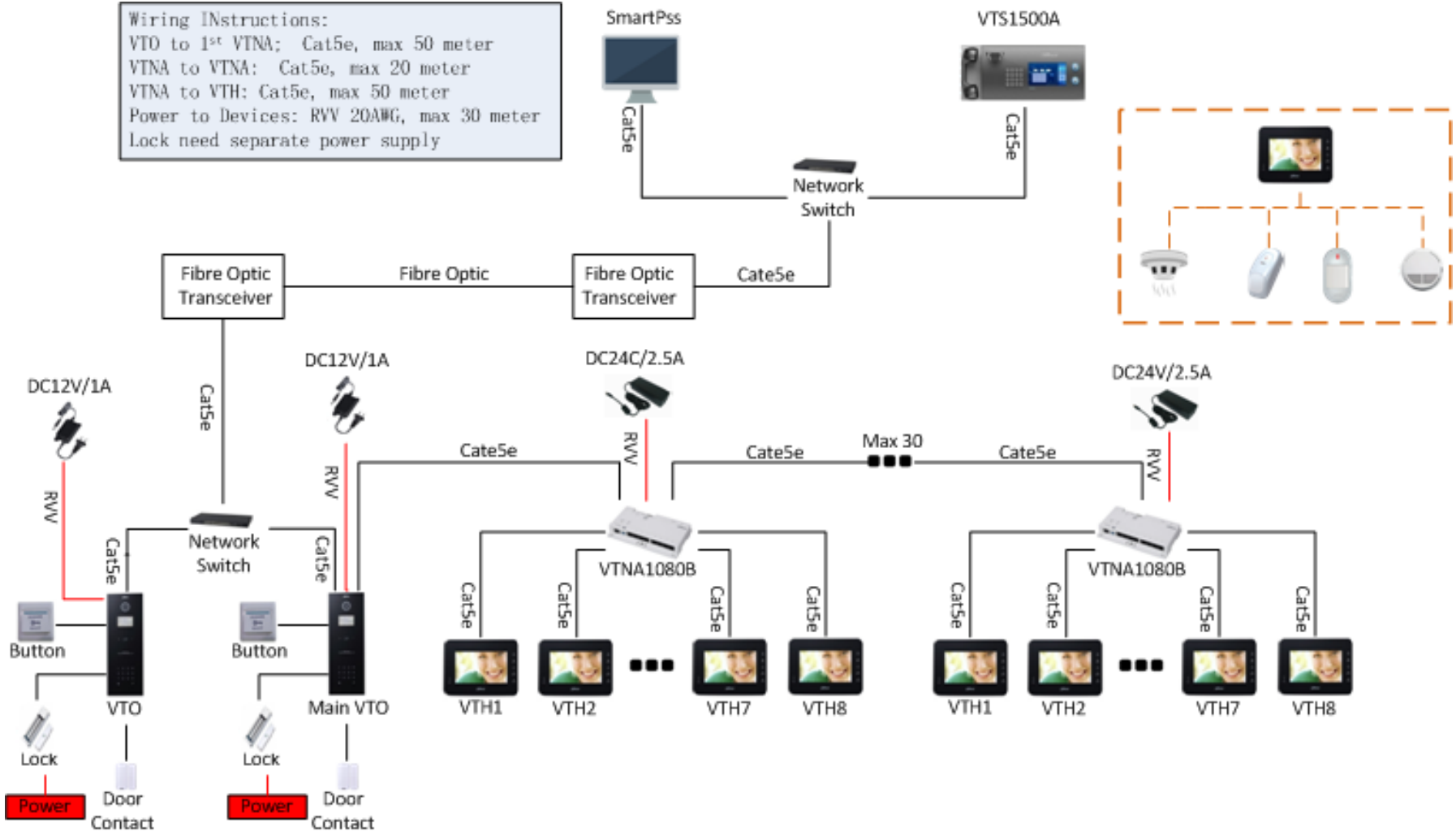


# Analog Villa



# Analog Apartment

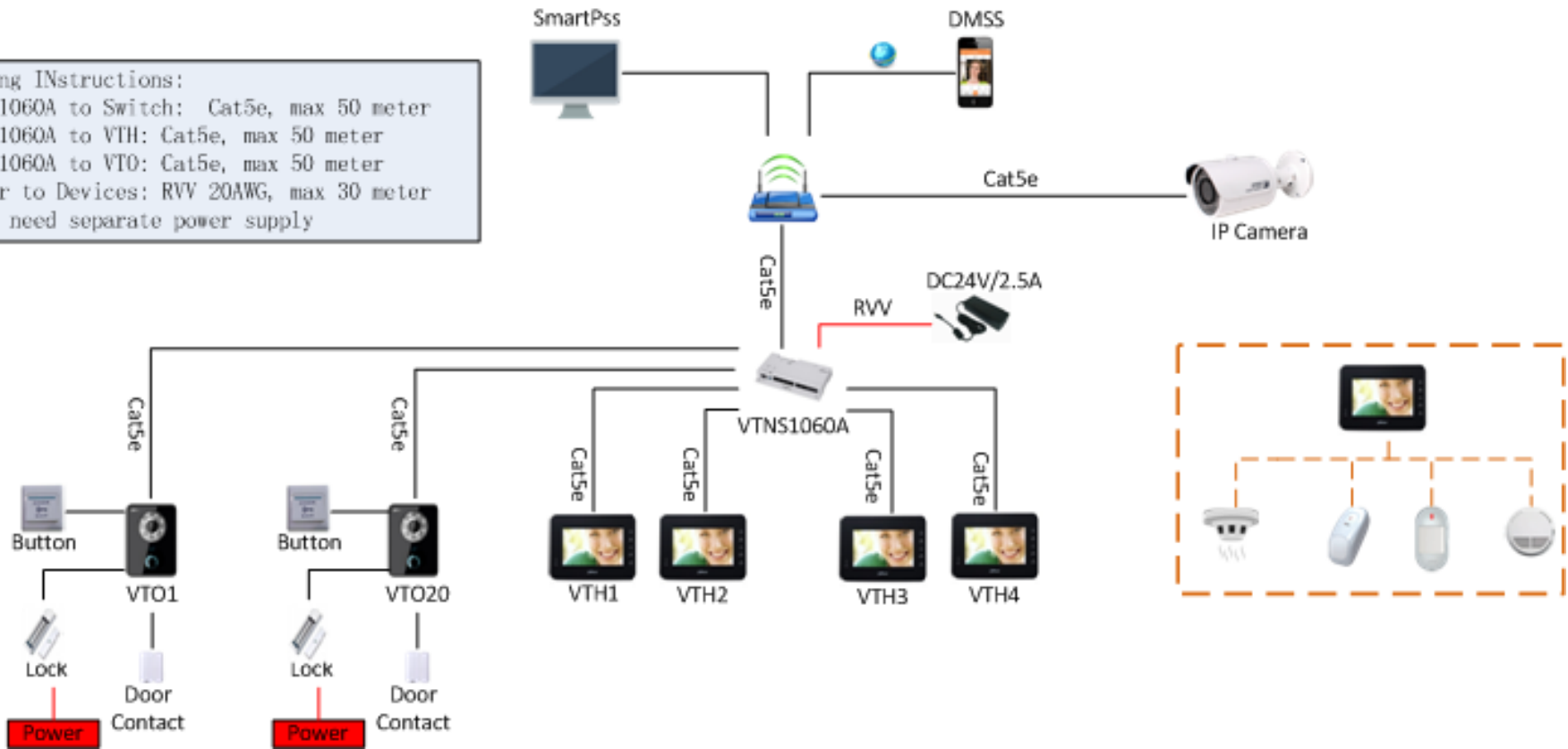
Wiring Instructions:  
VTO to 1<sup>st</sup> VTNA; Cat5e, max 50 meter  
VTNA to VTNA: Cat5e, max 20 meter  
VTNA to VTH: Cat5e, max 50 meter  
Power to Devices: RVV 20AWG, max 30 meter  
Lock need separate power supply





# IP Villa

Wiring INstructions:  
VTNS1060A to Switch: Cat5e, max 50 meter  
VTNS1060A to VTH: Cat5e, max 50 meter  
VTNS1060A to VTO: Cat5e, max 50 meter  
Power to Devices: RVV 20AWG, max 30 meter  
Lock need separate power supply



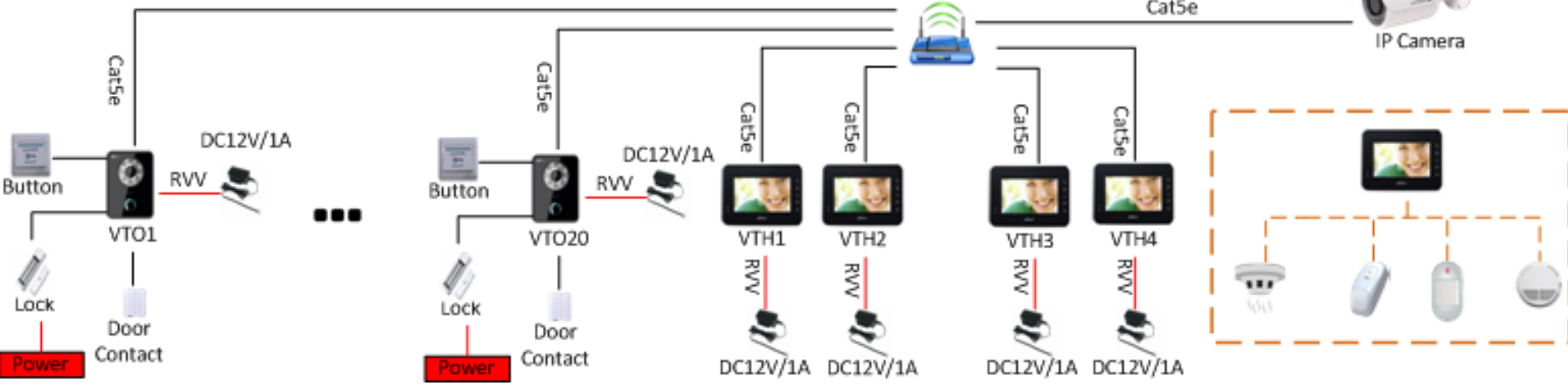
# IP Villa

Wiring INstructions:  
VTNS1060A to VTH: Cat5e, max 50 meter  
VTNS1060A to VTO: Cat5e, max 50 meter  
Power to Devices: RVV 20AWG, max 30 meter  
Lock need separate power supply



Cat5e

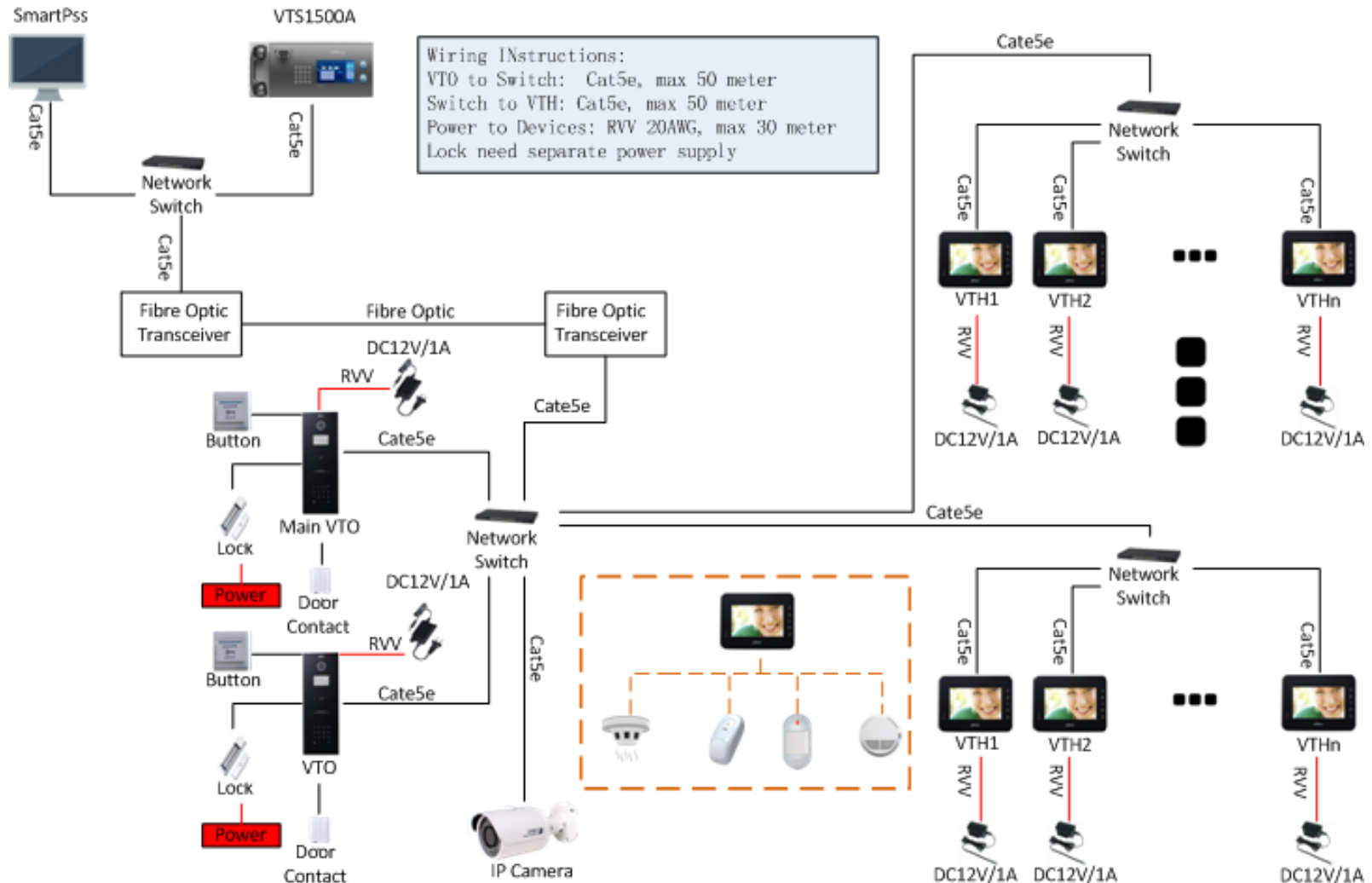
IP Camera





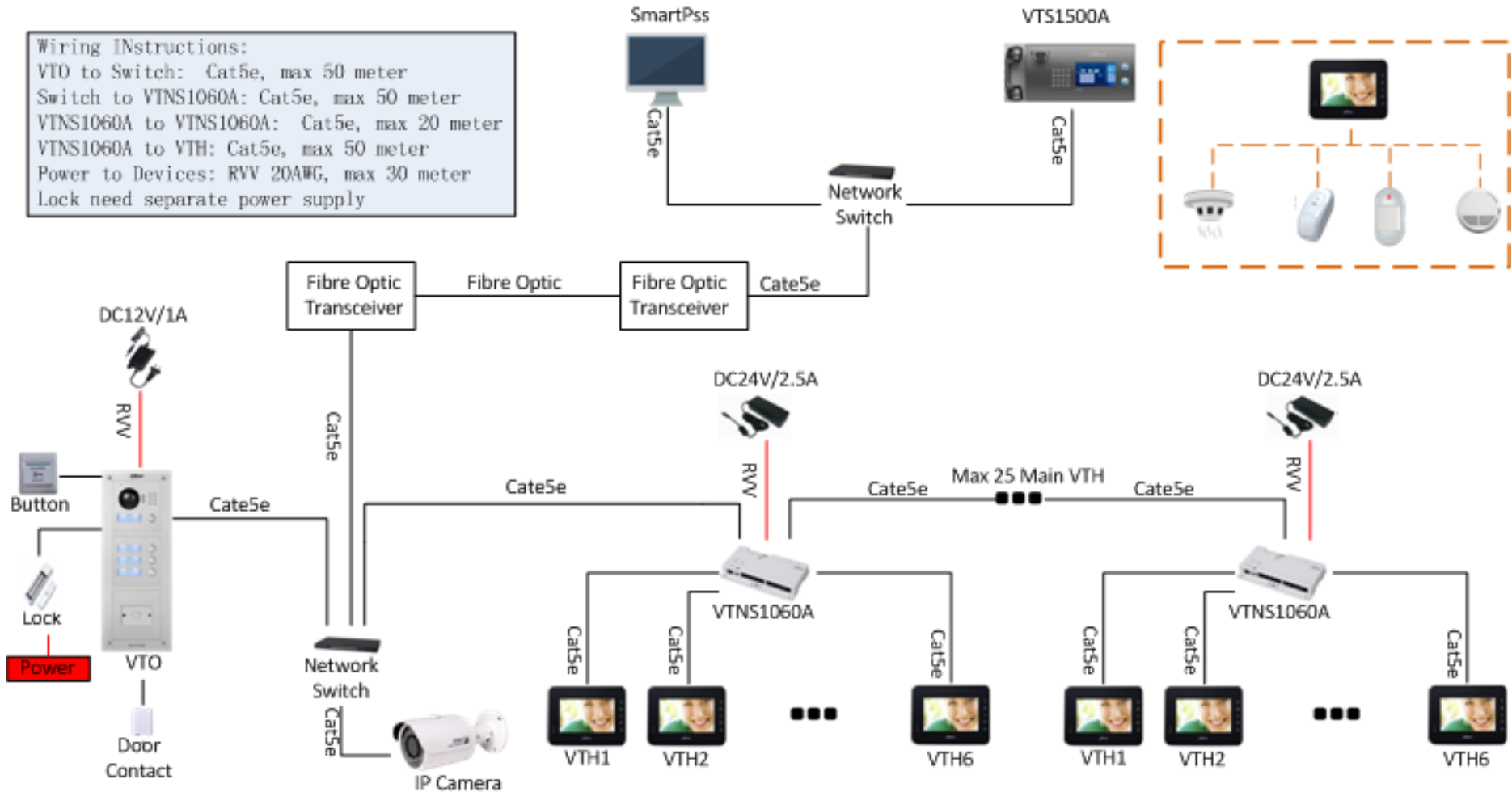


# IP Apartment



# IP Module

Wiring Instructions:  
 VTO to Switch: Cat5e, max 50 meter  
 Switch to VTNS1060A: Cat5e, max 50 meter  
 VTNS1060A to VTNS1060A: Cat5e, max 20 meter  
 VTNS1060A to VTH: Cat5e, max 50 meter  
 Power to Devices: RVV 20AWG, max 30 meter  
 Lock need separate power supply



# IP Module

Wiring Instructions:  
 Switch to VTNS1060A: Cat5e, max 50 meter  
 VTNS1060A to VTNS1060A: Cat5e, max 20 meter  
 VTNS1060A to VTH: Cat5e, max 50 meter  
 VTNS1060A to VTO: Cat5e, max 50 meter  
 Power to Devices: RVV 20AWG, max 30 meter  
 Lock need separate power supply

